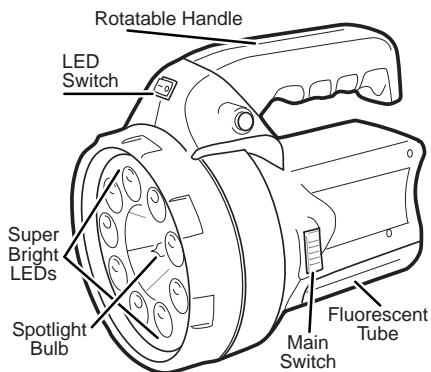


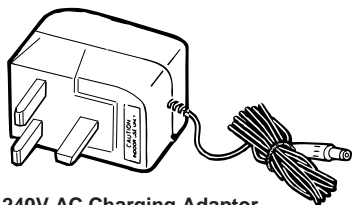
The Lighthouse 3 Function Spotlight

Your new cordless, LIGHTHOUSE rechargeable multi-function spotlight is perfect for use in and around the home and garage, providing a safe and portable source of light for use just where and when you need it. Great for use during power failures, while camping, fishing or working on the car and many other uses.

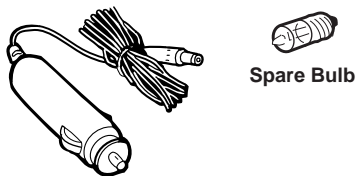
Contents:



3 Function Spotlight



240V AC Charging Adaptor



12V DC Charging Adaptor

Specifications

Battery Pack: 6v Internal Sealed Lead Acid Rechargeable Battery

Bulb Type: Halogen Bulb Spotlight

Bulb Type: 9 White LED (Light-Emitting Diode)

Bulb Type: Fluorescent

Function Selection

The LIGHTHOUSE spotlight has two switches that select the lighting function of the torch.

1 Million Candle Power long range spot beam.

9 LED Bright short beam.

Long lasting fluorescent light.

Main Switch: On the body of the spotlight

- (1) Switch set in the middle position, the spotlight is OFF.
- (2) If the spotlight function is required move the switch to the fully up position.
- (3) If the fluorescent function is required move the switch to the fully down position.

LED Switch: On front handle

- (1) Press this switch to turn on the LED beam.

Running Times

The operating times of this torch may vary depending on the working conditions and the amount of charge in the battery at the time of use. The approximate running times for the three functions of this torch when fully charged are as follows.

Bright 1,000,000 spot beam 1 Hours

9 LED bright short beam 9 Hours

Fluorescent tube option 30 Hours

To achieve the best performance of your LIGHTHOUSE spotlight always switch the spotlight off when the battery power begins to run low, and recharge immediately.

Charging the LIGHTHOUSE 3 Function Torch

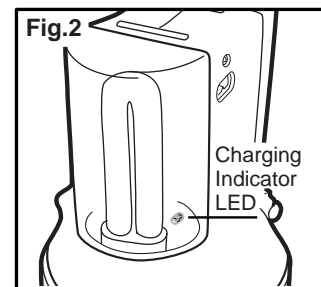
The 3 function spotlight **must be fully charged for a minimum of 16 hours before being used for the first time**, this will ensure that the battery gives its best performance now and on future re-charging cycles. The AC and DC charging adapters are for re-charging the battery only. They cannot be used to directly power the spotlight.

Using the AC Charging Adapter

- 1) Move the ON/OFF switch to the OFF position, failure to place the switch in the OFF position will prevent the battery from being charged and may damage or impair the batteries future performance.
- 2) Stand the spotlight on its base. Plug the adapters jack plug into the socket on the side of the torch.
- 3) Plug the adapter into 240V socket and switch the socket on (if applicable).
- 4) Locate the red charging indicator light located in the fluorescent tube compartment (Fig.2). When the unit is charging the LED will glow red. Charge the battery for a minimum of 16 hour before using for the first time, and 10 hours on subsequent recharges.
- 6) When charging is complete disconnect the jack plug from the spotlight, remove the adapter from the wall socket or switch off.

Safety Precautions

- Use 240v AC charging adapter indoors in a dry location only. Exposure to damp or wet conditions could cause electrocution or damage to adapter.
- Do not use the charger in the vicinity of flammable liquids or materials.
- Do not use the charging adapter in combination with any extension cord, electrical generators, or step-up transformers.
- Always plug the adapter directly into a 240v outlet in a suitable location.
- Store in dry location and do not allow the charging adapter to come in contact with water, rain or snow.
- If the charging adapter comes into contact with water, place in a dry location at room temperature, on a soft absorbent towel and allow to dry thoroughly. Do not operate the unit until it is completely free of moisture.
- If the adaptor becomes submerged in water, discontinue use immediately and contact your local LIGHTHOUSE retailer for a replacement charger unit.
- Do not store charging adapter where temperatures may exceed 122°F (50°C).
- Use only the AC charging adapter supplied with the worklight. Do not attempt to charge the torch with an adapter that is not compatible as this could result in a fire, damage to the torch or personal injury.

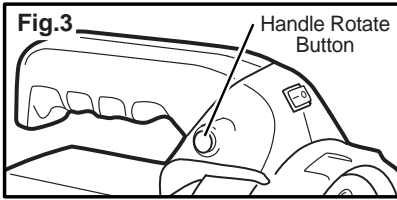


Using the DC Charging Adapter

- 1) Stand the torch on its base. Plug the adapters jack plug into the socket at the back of the spotlight.
- 2) Plug the adapter into the vehicles 12v DC cigarette lighter or accessory power socket.
- 4) Locate the red charging indicator light located in the fluorescent tube compartment (Fig.2). When the unit is charging the LED will glow red. Charge the battery for a minimum of 16 hour before using for the first time, and 10 hours on subsequent recharges.
- 5) When charging is complete disconnect the jack plug from the spotlight and remove the DC adapter from the outlet socket.

Safety Precautions

- The DC charging adapter can be used in most vehicles by plugging into the 12v DC cigarette lighter or accessory power socket.
- Consult your vehicle owner's manual for further information on operating 12v DC accessories.
- Do not drive the vehicle while charging, as an unsecured worklight may be a hazard during certain driving manoeuvres.
- Store in dry location and do not allow the charging adapter to come in contact with water, rain or snow.
- If the charging adapter comes into contact with water, place in a dry location at room temperature, on a soft absorbent towel and allow to dry thoroughly. Do not operate the unit until it is completely free of moisture.
- If the adaptor becomes submerged in water, discontinue use immediately and contact your local LIGHTHOUSE retailer for a replacement charging adapter.
- Do not store charging adapter where temperatures may exceed 122°F (50°C).
- Use only the DC charging adapter supplied with the torch. Do not attempt to charge the worklight with an adapter that is not compatible as this could result in a fire, damage to the torch or personal injury.



Handle Options

The spotlight handle may be used in one of two positions, as a carry handle or as a spotbeam handle. To change current position, depress the button on the front right hand side of the handle housing (Fig.3) and then rotate the handle to the required position.

Bulb Replacement

To replace the spotlight bulb first check that the main switch is in the OFF position. Unscrew the front cover of the spotlight and remove this carefully along with the lens. Unscrew the centre bulb and fit with a new replacement. Always use a soft cloth or tissue when handling a halogen bulb, as touching the glass surface with bare hands may cause premature bulb failure. Assembly is the reverse of the above instructions.

Care and Maintenance

Storage

Store the LIGHTHOUSE spotlight and charging adapters in a clean and dry area. Be sure to keep the charging adapters supplied with this product stored separately from similar items as only charging adapters included with this spotlight are compatible. Using a non-compatible charger could cause damage to the spotlight or personal injury.

The spotlight may also be stored in a vehicle for use in roadside emergencies. If kept in a vehicle, it is recommended that battery be re-charged every 30-45 days to ensure maximum performance in an emergency. To prevent the worklight and any of the accessories being damaged, please ensure that it is properly secured and in a safe place inside the vehicle.

Cleaning

All exterior surfaces of the spotlight can be wiped clean with a soft cloth dampened with a soap and water solution. Do not immerse or submerge any part of worklight in water or any other solvent. Never use solvents or cleaning agents containing petroleum (petrol, kerosene, oil), paint thinner, turpentine, alcohol, or ammonia. Harsh materials like these can damage surfaces.

Maintenance

All repairs other than replacement of the spotlight bulb should only be carried out by qualified service personnel. Do not open exterior casing of the spotlight, as there are no user serviceable parts inside. Opening or visible attempts to open or repair a spotlight may void any guarantee and/or cause damage to the product or personal injury. LED bulbs will never wear out under normal conditions and do not need to be replaced. Rechargeable battery pack cannot be replaced.



Never attempt to open the battery pack, under abusive conditions liquid may be ejected from the battery, if accidental contact occurs flush the effected area with water. If the liquid comes into contact with the eyes flush with water and seek medical help. Liquid ejected from batteries may cause irritation or burns.



This product contains an internal Lead Acid battery pack formulated from environmentally sensitive materials.



This product must be disposed of properly with due care for the environment. Please return this product to your local dealer or to your local recycling station where batteries will be recycled or disposed of properly.



Never attempt to incinerate batteries as they may leak or explode.

One-Year Home Use Limited Guarantee

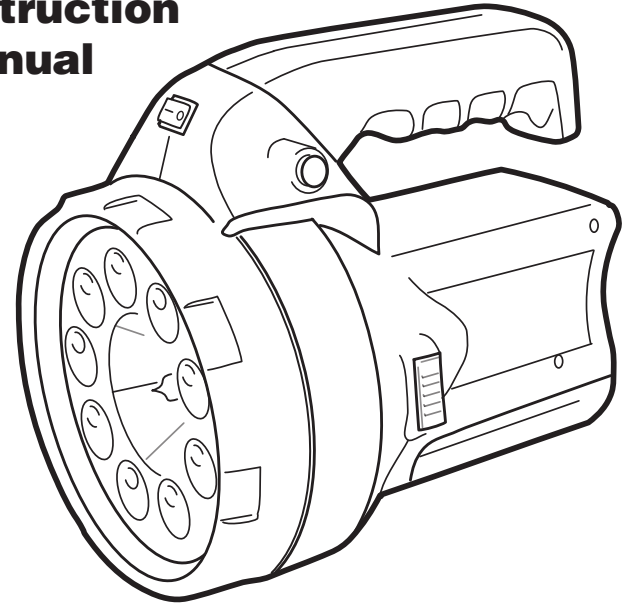
Lighthouse guarantees this product to the original purchaser for a period of ONE YEAR against any defects in material or workmanship but shall not cover damage caused by misuse, abuse, alteration, or accident. This product is intended for home use only and the guarantee will not cover product used for commercial purposes.

Lighthouse

Rechargeable Super-Bright Halogen Spotlight with 9 LED's and Fluorescent Function

(Product code: L/H 9LED)

Instruction Manual



IMPORTANT

It is essential that you read the instructions contained in this manual before using the torch for the first time.

Failure to follow these instructions could result in damage to the torch, property damage or personal injury.

This manual should be stored safely for future reference.