

# LIGHTHOUSE®

## USER MANUAL L/H A40HR LED INSPECTION LAMP

### BEFORE USING FOR THE FIRST TIME

Please ensure you read and understand these instructions clearly before using this product for the first time. Failure to do so could result in personal injury or damage to the product. It is important you retain this user manual for future reference.

### SAFETY PRECAUTIONS

- ▶ Do not use the torch in the immediate vicinity of inflammable materials or gases.
- ▶ Make sure that the torch lens is not covered during use.
- ▶ Only use the accessories included with this product when charging the torch.
- ▶ Keep the torch out of reach of children and pets.
- ▶ Do not point the torch directly in your own, any other person's or animals eyes.
- ▶ Always check the mains cable before using the charger. If the cable or any part of the charger is damaged, replace with a like for like spare.

### TECHNICAL DATA

BATTERY TYPE	200mAh 70121 Lithium-Polymer
LIGHT SOURCE	LED
BRIGHTNESS	180 / 80 / 30 / 400 Lumens
CHARGE TIME	Approx. 2 Hours
RUN TIME	Up to 40 Hours
LIGHT MODES	High / Medium / Low / Red Flash / Turbo
IP RATING	IP54
APPROX. SIZE	43,3 x 33,3 x 31,4mm
CHARGING PORT	USB Type C
SUPPLIED WITH	1M USB-C Charging Lead

### RECHARGING

- ▶ Ensure the battery is fully charged before using the headlight for the first time.
- ▶ It is important for the headlight to be charged every three months to maintain the optimum condition of the battery.
- ▶ The battery charge status can be determined by reading the battery charge indicator. If all 4 LEDs are lit, the torch is fully charged.

### CLEANING

Use a soft cloth or cotton swab with water or medical alcohol to clean the lens. Care should be taken during cleaning. Allow the torch to completely dry before using. Do not use any harsh chemicals or abrasive materials when cleaning, as this may damage the torch.

### DISPOSAL OF THIS PRODUCT

If at some point you intend to dispose of this product, please keep in mind that many of its components consist of valuable materials which can be recycled. Please do not dispose of this product in the household waste bin, check instead with your local council for recycling facilities in your area.

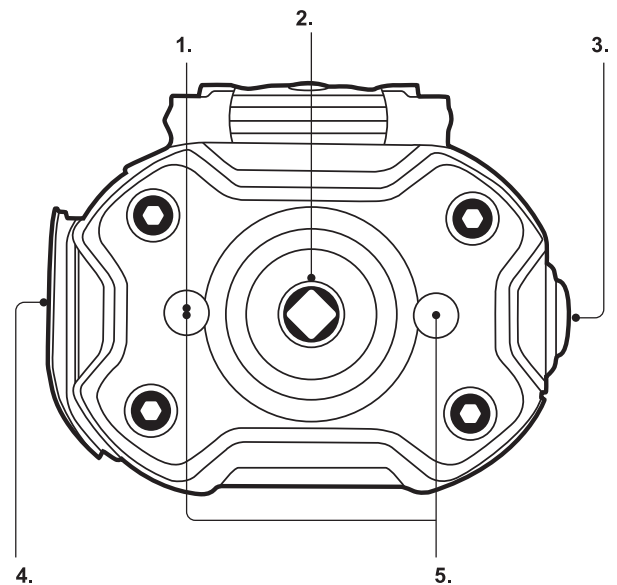
Do not dispose of used batteries in the household waste, or expose to fire. Lighthouse hold no responsibility for personal injury or damage caused by incorrectly disposing of batteries.

The plastic in this product may contain chemicals known by the state of California to cause cancer and birth defects or other reproductive harm.

### OPERATING MODES

The output functions are controlled by a sequential power button marked as "⏻" on the side of the headlight. Repeated single presses will cycle through on / high / medium / low / off. In the off setting, pressing the power button twice in quick succession will turn on the red flashing output mode. Pressing the power button for 3 seconds will turn on lights turbo mode.

### DIAGRAM



1. Red flashing LEDs
2. Main LED
3. Power Button
4. USB-C Charging Port
5. Charging Indicators

### GUARANTEE

Rechargeable battery life depends on many factors and the cells can become easily damaged, dependent on environmental and storage conditions. Your product is guaranteed from defect for a period of **1 year**, this excludes the battery which is covered for 90 days from the date of purchase, if you notice the running or charge times decreasing this is normal over the lifetime of the battery and is classed as fair wear and tear.

There will be some items within our range which will be non-serviceable but, in most cases we can supply replacement batteries for our products.

**LIGHTHOUSE TORCHES**  
3 White Lodge Business Estate, Hall Road, Norwich, Norfolk, NR4 6DG, United Kingdom.  
**TUCKS O'BRIEN LTD**  
24 Magna Drive, Magna Business Park, Citywest Road, Dublin 24, D24 FNYO, Ireland.

[www.lighthouse-torches.com](http://www.lighthouse-torches.com)

