

## Safety Precautions

- Use 240v AC charging adaptor indoors in a dry location only. Exposure to damp or wet conditions could cause electrocution or damage to adaptor.
- Do not use the charger in the vicinity of flammable liquids or materials.
- Do not use the charging adaptor in combination with any extension cord, electrical generators, or step-up transformers.
- Always plug the adaptor directly into a 240v outlet in a suitable location.
- Store in dry location and do not allow the charging adaptor to come in contact with water, rain or snow.
- If the charging adaptor comes into contact with water, place in a dry location at room temperature, on a soft absorbent towel and allow to dry thoroughly. Do not operate the unit until it is completely free of moisture.
- If the adaptor becomes submerged in water, discontinue use immediately and contact your local LIGHTHOUSE retailer for a replacement charger unit.
- Do not store charging adaptor where temperatures may exceed 122°F (50°C).
- Use only AC USB charging adaptors or an appropriate USB power outlet when charging the Focus 800. Do not attempt to charge the torch with an adaptor that is not compatible as this could result in a fire, damage to the torch or personal injury.

## Care and Maintenance

### Storage

Store the LIGHTHOUSE Focus 800, charger and lead in a clean and dry area. The Focus 800 may also be stored in a vehicle for use in roadside emergencies. If kept in a vehicle, it is recommended that battery be re-charged periodically to ensure maximum performance in an emergency.

## Cleaning

All exterior surfaces of the Focus 800 can be wiped clean with a soft cloth dampened with a soap and water solution. Do not immerse or submerge any part of the Focus 800 in water or any other solvent. Never use solvents or cleaning agents containing petroleum (petrol, kerosene, oil), paint thinner, turpentine, alcohol, or ammonia. Harsh materials like these can damage surfaces.

## Maintenance

The battery supplied in this torch can be removed and replaced at the end of its working life, the replacement pack must be of the same size and type as that currently fitted in this torch to ensure continued safe operation. There are no other user serviceable parts inside this torch. Opening or visible attempts to open or repair a Focus 800 may void any guarantee and/or cause damage to the product or personal injury. LED bulbs should not wear out under normal conditions and do not need to be replaced.



**Never attempt to open the battery pack, under abusive conditions liquid may be ejected from the battery, if accidental contact occurs flush the affected area with water. If the liquid comes into contact with the eyes flush with water and seek medical help. Liquid ejected from batteries may cause irritation or burns.**



This product contains an internal Li-ion battery pack formulated from environmentally sensitive materials. This product must be disposed of properly with due care for the environment. Please return this product to your local recycling station where batteries will be recycled or disposed of properly.



Never attempt to incinerate batteries as they may leak or explode.

## One-Year Home Use Limited Guarantee

Lighthouse guarantees this product to the original purchaser for a period of ONE YEAR against any defects in material or workmanship but shall not cover damage caused by misuse, abuse, alteration, or accident. This product is intended for home use only and the guarantee will not cover products used for commercial purposes.

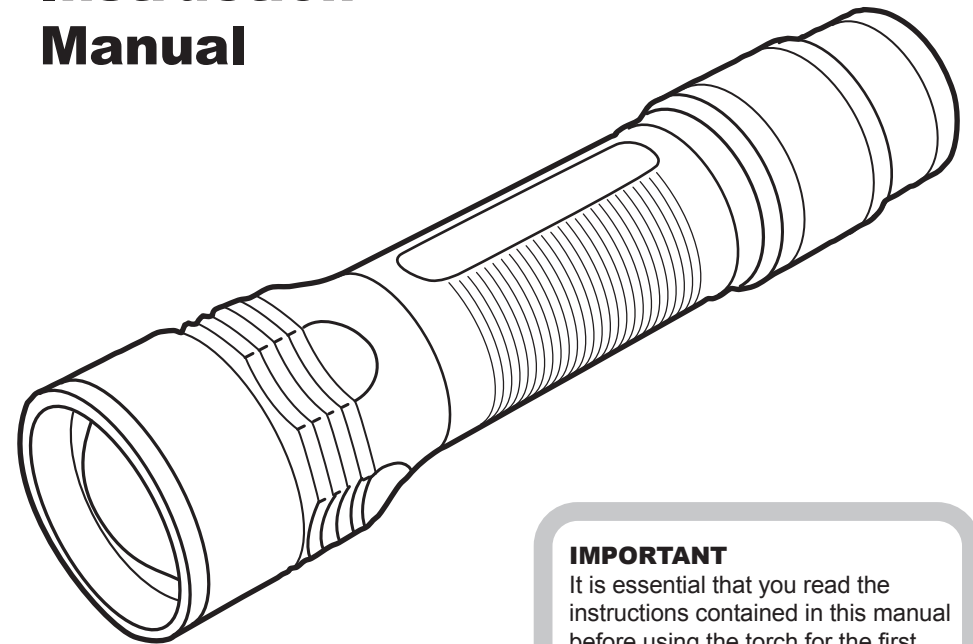
Product code: L/H EFOC800

# Lighthouse

# FOCUS800 LED Torch

## Rechargeable 800 Lumens Torch and Charger

## Instruction Manual



### IMPORTANT

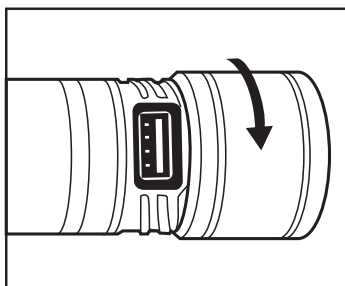
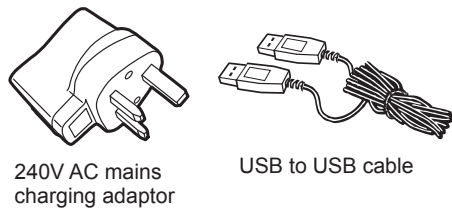
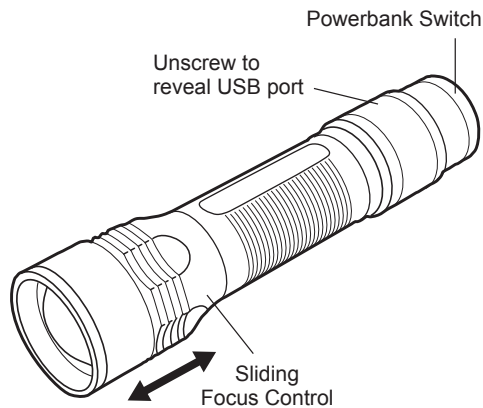
It is essential that you read the instructions contained in this manual before using the torch for the first time.

Failure to follow these instructions could result in damage to the torch, property damage or personal injury.

This manual should be stored safely for future reference.

# Lighthouse Rechargeable 800 Lumen LED Torch

Your new LIGHTHOUSE rechargeable Focus 800 torch is a versatile product offering a wide variety of functions. Perfect for use in and around the home and garage, providing a safe and portable source of light for use just where and when you need it. Great for use during power failures, while camping, fishing or working on the car and many other uses. The Focus 800 can also be used as a charger to recharge mobile phones, MP3 players and many other small rechargeable battery powered electronic devices using its USB port.



A. USB Charging Port / Outlet

## Specifications

<b>Battery Pack:</b>	3.7v/2600mAH Li-Ion rechargeable battery
<b>LED Type:</b>	T6
<b>BS Approved Charger:</b>	HN-DC050V100B AC100 ~ 240V 50/60HZ, Output DC 5V -- 1000MA
<b>USB Cable:</b>	USB to USB

## Using the Focus 800's output modes

The tail-cap switch used on this torch is sequential.

- 1) To turn on the 800 lumen full beam, press the switch once. In this mode the light output can be dimmed by maintaining finger pressure on the switch until the required output level is achieved.
- 2) Press the switch again for a low lumen output.
- 3) Press the switch again for strobe mode.
- 4) Press the switch again to activate the green tail-cap map reading light.
- 5) Press the switch again to turn the torch off.
- 6) Powerbank: To access the torches powerbank function cycle the tail-cap switch until the green map reading LED is illuminated, then depress the tail-cap switch twice in quick succession. The tail-cap light will flash green indicating that the powerbank function is switched on and operating.

## Focus control

The Focus 800 features a sliding focus system.

- 1) Slide the head of the torch forward to narrow the beam to a spot light.
- 2) Slide the head of the torch backward to open the beam to a flood light.

## Charge indicator

The tail-cap switch also serves as a charge indicator and will glow red when the battery becomes low.

## Recharging

The torch can be recharged using the supplied AC charger or by connecting it to a standard USB outlet port such as a laptop computer. The supplied USB to USB lead should be used when charging the torch.

## Using the AC Charging Adaptor

- 1) Plug the USB plug into the charging port (A) on the side of the torch.
- 2) Plug the USB plug into the socket on the AC charger.
- 3) Plug the AC charger into 240V socket and switch the socket on (if applicable).
- 4) Once connected to the AC charger the tail-cap switch will glow blue indicating that the torch is in charge mode. The tail-cap switch will turn green when the battery is fully charged.
- 5) Check that the torch is switched off, to ensure that the recharge time is kept to a minimum.
- 6) When charging is complete, you should remove the charging adaptor from the mains socket before unplugging the mini USB plug from the torch.

## Using an alternative USB source

- 1) Check that the selected source is compatible and has sufficient capacity to charge the torch.
- 2) Plug the USB plug into the charging port (A) on the side of the torch.
- 3) Ensure the selected USB power source is switched on and ready for use.
- 4) Plug the USB plug into the desired USB outlet.
- 5) Once connected to the power source the tail-cap switch will glow blue indicating that the torch is in charging mode. The tail-cap switch will turn green when the battery is fully charged.
- 6) Check that the torch is switched off, to ensure that the recharge time is kept to a minimum.
- 7) When charging is complete, you must remove the USB plug from the power source, before unplugging the USB plug from the torch.

**NOTE:** The rate and length of charge may vary when using this method, depending on the output of the socket being used. Lighthouse cannot be held responsible for any damage or accident caused by using an alternative charging source other than the supplied AC USB charger supplied with this product.

Under optimum conditions and with a full charge the Focus 800 can normally be used for up to 8 hours, depending on the selected output mode. Please note that the running time will be affected if the torch is being used to charge another item, while also being used as a source of illumination.

## Using the Focus 800 as power source

To access the torches powerbank function cycle the tail-cap switch until the green map reading LED is illuminated, then depress the tail-cap switch twice in quick succession. The tail-cap light will flash green indicating that the powerbank function is switched on and operating.

- 1) Plug the USB plug into the charging port of the device to be charged.
- 2) Plug the USB plug into the USB outlet (A) on the side of the torch.
- 3) Charging will commence as soon as the USB lead is connected, check that the torch is switched off, to ensure that the recharge time is kept to a minimum.
- 4) Once the attached device is fully charged disconnect the charging lead to conserve the remaining battery power stored in the torch.

**NOTE:** The Focus 800 can be used to recharge any device that has been supplied with a USB charging lead by its manufacturer. Lighthouse cannot be held responsible for any damage or accident caused to any device that is charged using the Focus 800 as a power source.

The Focus 800 can still be used to provide illumination while carrying out a charging operation, however this will reduce the total amount of power available for transfer to the device being recharged. The rate and length of charge may vary depending on the lighting mode the torch is set to.

Please note some mobile devices charging leads can contain authentication chips to prevent the use of third party chargers with their products.