

## Running Times

The operating times of this torch may vary depending on the working conditions and the amount of charge in the battery at the time of use. The approximate running time for this torch when fully charged are as follows:

### 10W CREE LED

**High output up to 3 hours**

**Low output up to 6 hours**

To achieve the best performance of your Spotlight, always switch the torch off when the battery power begins to run low, and recharge immediately.

## Care and Maintenance

### Storage

Store the Spotlight and charging adaptors in a clean and dry area. Be sure to keep the charging adaptors supplied with this product stored separately from similar items as only charging adaptors included with this torch are compatible. Using a non-compatible charger could cause damage to the torch or personal injury.

If the torch is stored in a vehicle for use in roadside emergencies, it is recommended that the battery be re-charged every 30-45 days to maintain maximum performance. To prevent damage to the torch, please ensure that it is properly secure and in a safe place inside the vehicle.

### Cleaning

All exterior surfaces of the Spotlight can be wiped clean with a soft cloth dampened with a soap and water solution. Do not immerse or submerge any part of the torch in water or any other solvent. Never use solvents or cleaning agents containing petroleum (petrol, kerosene, oil), paint thinner, turpentine, alcohol, or ammonia. Harsh materials like these can damage surfaces.

## Maintenance

There are no user serviceable parts inside product. Opening or visible attempts to open or repair this spotlight may void any guarantee and/or cause damage to the product or personal injury.

LED bulbs will never wear out under normal conditions and do not need to be replaced. Failure to recharge the spotlight battery every three months may permanently damage or reduce the performance of the spotlight.



This product contains an internal Li-ion battery pack formulated from environmentally sensitive materials and must be disposed of properly with due care for the environment. Please return this product to your local dealer or recycling station where batteries will be recycled or disposed of properly.



Never attempt to incinerate batteries as they may leak or explode.

## One-Year Home Use Limited Guarantee

Lighthouse guarantees this product to the original purchaser for a period of ONE YEAR against any defects in material or workmanship but shall not cover damage caused by misuse, abuse, alteration, or accident. This product is intended for home use only and the guarantee will not cover products used for commercial purposes.



### WARNING!

Do NOT look directly into the LED light.  
Do NOT shine the torch directly in the face of others  
Do NOT allow children to use LED light unless under the supervision of an adult.

# Lighthouse



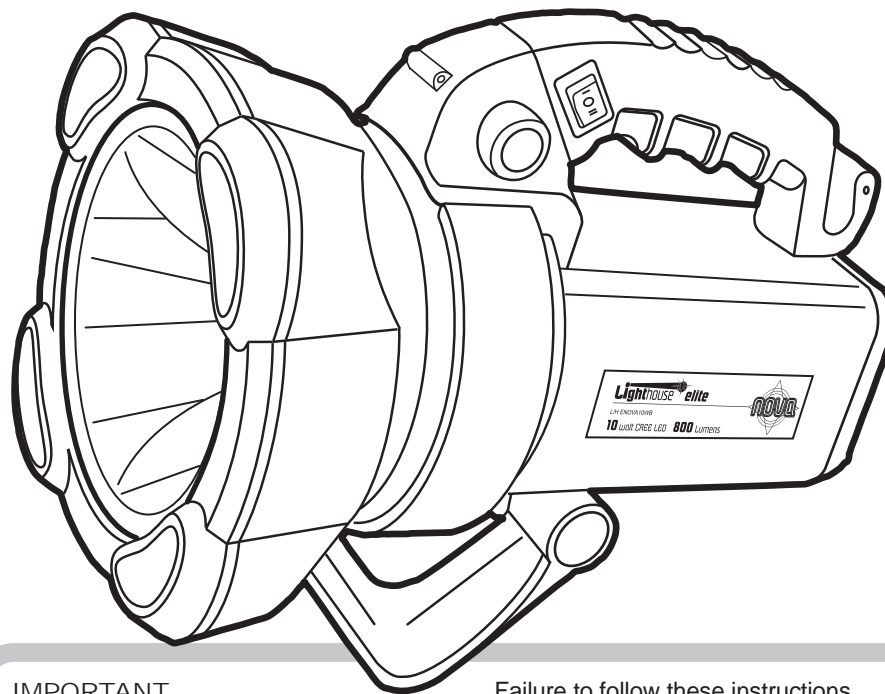
# Rechargeable Spotlight

## 10 Watt CREE LED with Red Flashing LEDs

## 800 Lumens

Product code: L/H ENOVA10WB

## Instruction Manual



### IMPORTANT

It is essential that you read the instructions contained in this manual before using the torch for the first time.

Failure to follow these instructions could result in damage to the torch, property damage or personal injury.

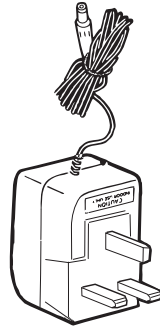
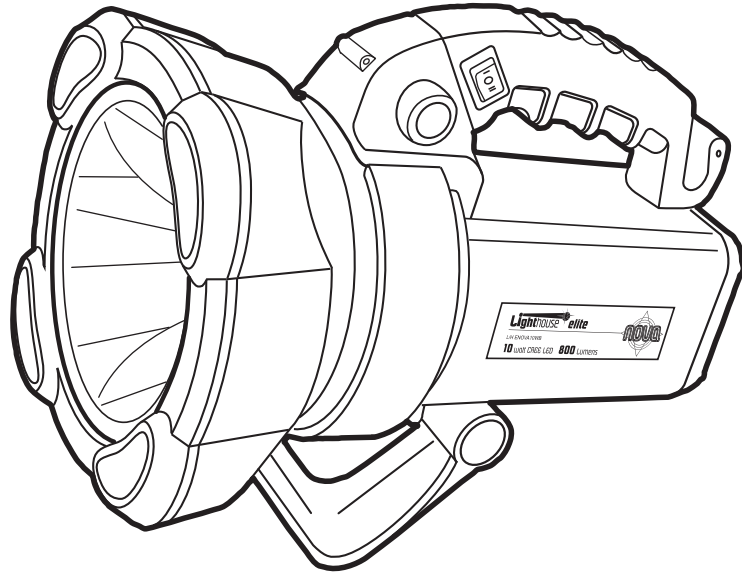
This manual should be stored safely for future reference.

Lighthouse Torches,  
Long Reach,  
Galleon Boulevard,  
Crossways Business Park,  
Dartford,  
Kent DA2 6QE, UK

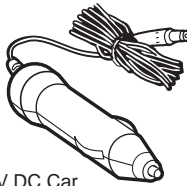
[www.lighthouse-torches.com](http://www.lighthouse-torches.com)

# The Lighthouse NOVA 10 Watt CREE Rechargeable Spotlight

Your new cordless, Lighthouse rechargeable Spotlight is perfect for use in and around the home and garage, providing a safe and portable source of light for use just where and when you need it. Great for use during power failures, while camping, fishing or working on the car and many other uses including roadside emergencies with its flashing Red LED function.



240V AC Mains Charging Adaptor



12V DC Car Charging Adaptor

## Torch Specifications:

**Battery Pack:** 3.7V 3.6 Ah Li-ion Internal Rechargeable Battery

**Bulb Type:** 1 x 10W CREE LED + 12 Red LEDs

**LED Bulb Life:** 100,000 Hours

**Charging:** USB Output Function

## Charger Specifications:

**Model No:** YH-BS350900200D

**Voltage:** 230 ~ 240V AC 50Hz

**Secondary:** 9V DC 200mA

## Operating the Spotlight:

### Main beam

Depress the switch to either the – position for a Low output or the = to select the high output option.

### Flashing Red LEDs

Depress the switch at the rear of the torch marked warning blinker to engage the flashing LED function. This function can be used independently or in conjunction with all other modes.

### USB Charging output

Depress the switch at the rear of the torch marked USB on/off. The red indicator lamp beside the charger input jack will light to show that the USB socket is live and ready for use. This function can be used independently or in conjunction with all other modes.

## Charging the Spotlight

The Spotlight must be fully charged before being used for the first time. This will ensure that the battery gives its best performance now and on future re-charging cycles. The AC and DC charging adaptors are for re-charging the battery only. They cannot be used to directly power the torch. Always ensure the torch is switched off whilst charging.

### Using the AC Charging Adapter

- 1) Ensure that the Spotlights power switch is in the off position
- 2) Plug the adaptors jack plug into the recharge socket on the side of the torch
- 3) Plug the adaptor into a 240V socket and switch the socket on (if applicable).
- 4) The charging indicator lamp will glow RED while charging is in progress
- 5) The battery will be fully charged after approximately 16-20 hours, once charged switch off the wall socket or unplug the adaptor and disconnect the jack plug from the torch.

(Do not exceed 24 hours on a charging cycle as this may damage the battery)

### Safety Precautions

- Use 240v AC charging adaptor indoors in a dry location only. Exposure to damp or wet conditions could cause electrocution or damage to adaptor.
- Do not use the charger in the vicinity of flammable liquids or materials.
- Do not use the charging adapter in combination with any extension cord, electrical generators, or step-up transformers.
- Always plug the adaptor directly into a 240v outlet in a suitable location.
- Store in dry location and do not allow the charging adaptor to come in contact with water, rain or snow. If the charging adaptor comes into contact with water, place in a dry location at room temperature, on a soft absorbent towel and allow to dry thoroughly.
- Do not operate the unit until it is completely free of moisture.
- If the adaptor becomes submerged in water, discontinue use immediately and contact your local LIGHTHOUSE retailer for a replacement charger unit.
- Do not store charging adaptor where temperatures may exceed 122°F (50°C).
- Use only the AC charging adaptor supplied with the torch. Do not attempt to charge the torch with an adaptor that is not compatible as this could result in a fire, damage to the torch or personal injury.

### Using the 12V DC Charging Adapter

- 1) Ensure that the Spotlights power switch is in the off position
- 2) Plug the adaptors jack plug into the recharge socket on the side of the torch
- 3) Plug the adapter into the vehicles 12v DC cigarette lighter or accessory power socket.
- 4) The charging indicator lamp will glow RED while charging is in progress.
- 5) Disconnect the jack plug from the torch, and remove the DC adapter from the outlet socket. The battery will be fully charged after approximately 8-10 hours, Disconnect the jack plug from the torch, remove the DC adapter from the outlet socket.

(Do not exceed 12 hours on a charging cycle as this may damage the battery)

### Safety Precautions

- The DC charging adapter can be used in most vehicles by plugging into the 12v DC cigarette lighter or accessory power socket.
- Consult your vehicle owner's manual for further information on operating 12v DC accessories.
- Do not drive the vehicle while charging, as an unsecured torch may be a hazard during certain driving manoeuvres.
- Store in dry location and do not allow the charging adaptor to come in contact with water, rain or snow.
- If the charging adapter comes into contact with water, place in a dry location at room temperature, on a soft absorbent towel and allow to dry thoroughly. Do not operate the unit until it is completely free of moisture.
- If the adaptor becomes submerged in water, discontinue use immediately and contact your local LIGHTHOUSE retailer for a replacement charging adapter.
- Do not store charging adaptor where temperatures may exceed 122°F (50°C).
- Use only the DC charging adapter supplied with the torch. Do not attempt to charge the torch with an adapter that is not compatible as this could result in a fire, damage to the torch or personal injury.