

Bulb Replacement (H3 6V 35W)

To replace the spotlight bulb first check that the main switch is in the OFF position. Unscrew the front cover of the spotlight in an anticlockwise direction and remove this carefully along with the lens and the reflective lens cone. To remove the bulb; first disconnect the spade connector, then unclip the spring clip and pull out the bulb mount, to allow access to the bulb. Always use a soft cloth or tissue when handling a halogen bulb, as touching the glass surface with bare hands may cause premature bulb failure. Assembly is the reverse of the above instructions.

Care and Maintenance

Storage

Store the LIGHTHOUSE spotlight and charging adapters in a clean and dry area. Be sure to keep the charging adapters supplied with this product stored separately from similar items as only charging adapters included with this spotlight are compatible. Using a non-compatible charger could cause damage to the spotlight or personal injury. The spotlight may also be stored in a vehicle for use in roadside emergencies. If kept in a vehicle, it is recommended that battery be re-charged every 30-45 days to ensure maximum performance in an emergency. To prevent the worklight and any of the accessories being damaged, please ensure that it is properly secure and in a safe place inside the vehicle.

Cleaning

All exterior surfaces of the spotlight can be wiped clean with a soft cloth dampened with a soap and water solution. Do not immerse or submerge any part of worklight in water or any other solvent. Never use solvents or cleaning agents containing petroleum (petrol, kerosene, oil), paint thinner, turpentine, alcohol, or ammonia. Harsh materials like these can damage surfaces.

Maintenance

All repairs other than replacement of the spotlight bulb should only be carried out by qualified service personnel. Do not open exterior casing of the spotlight, as there are no user serviceable parts inside. Opening or visible attempts to open or repair a spotlight may void any guarantee and/or cause damage to the product or personal injury. Rechargeable battery pack cannot be replaced.

! Never attempt to open the battery pack, under abusive conditions liquid may be ejected from the battery, if accidental contact occurs flush the effected area with water. If the liquid comes into contact with the eyes flush with water and seek medical help. Liquid ejected from batteries may cause irritation or burns.



This product contains an internal Lead Acid battery pack formulated from environmentally sensitive materials. This product must be disposed of properly with due care for the environment. Please return this product to your local dealer or to your local recycling station where batteries will be recycled or disposed of properly.

! Never attempt to incinerate batteries as they may leak or explode.

One-Year Home Use Limited Guarantee

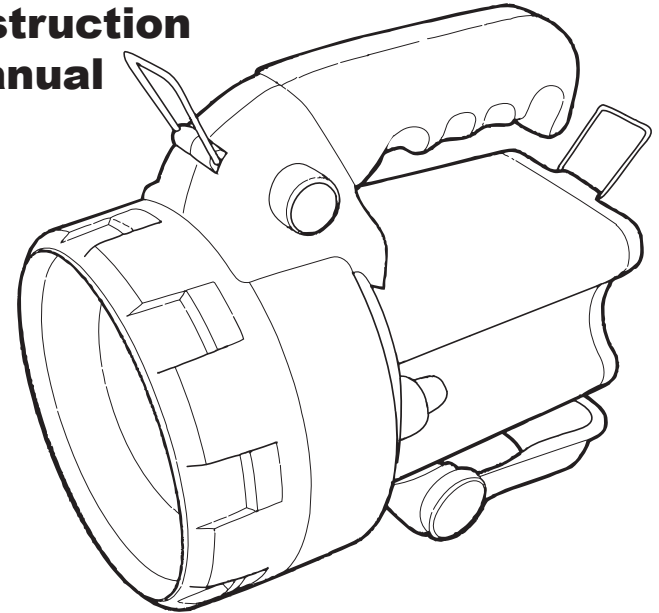
Lighthouse guarantees this product to the original purchaser for a period of ONE YEAR against any defects in material or workmanship but shall not cover damage caused by misuse, abuse, alteration, or accident. This product is intended for home use only and the guarantee will not cover product used for commercial purposes.

Lighthouse

Rechargeable 1 Million Candle Power Super-Bright Halogen Spotlight

(Product code: L/H HALSPOT1)

Instruction Manual



IMPORTANT

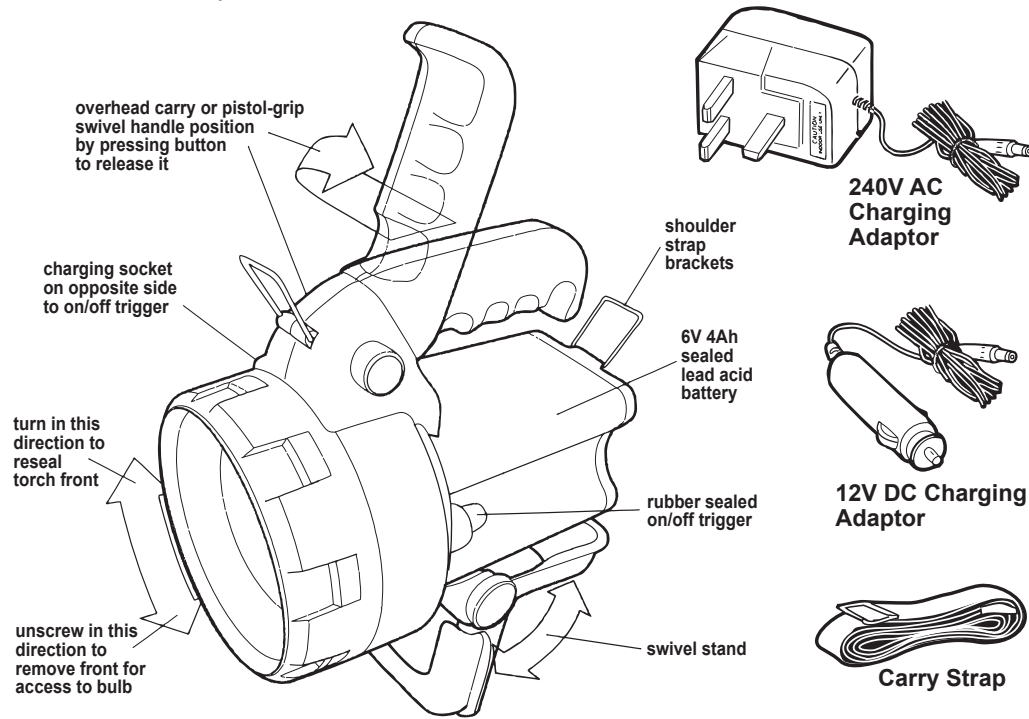
It is essential that you read the instructions contained in this manual before using the torch for the first time.

Failure to follow these instructions could result in damage to the torch, property damage or personal injury.

This manual should be stored safely for future reference.

The Lighthouse Halogen Spotlight

Your new cordless, LIGHTHOUSE rechargeable halogen spotlight is perfect for use in and around the home and garage, providing a safe and portable source of light for use just where and when you need it. Great for use during power failures, while camping, fishing or working on the car and many other uses.



Specifications

Battery Pack: 6v/4Ah Internal Sealed Lead Acid Rechargeable Battery

Bulb Type: Quartz Halogen Bulb H3 6V 35W

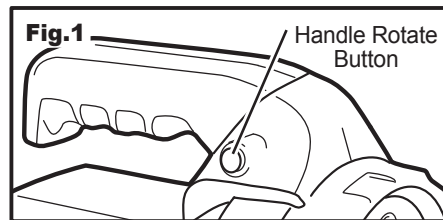
Using the Spotlight

To operate the spotlight, press the on/off switch. Under optimum conditions, with a full charge, the torch can normally be used for 45 minutes.

To achieve the best performance of your LIGHTHOUSE spotlight always switch the spotlight off when the battery power begins to run low, and recharge immediately.

Adjustable Stand

The stand angle is adjusted by rotating the leg on the base of the spotlight body until the desired angle is achieved.



Handle Options

The spotlight handle may be used in one of two positions, as a carry handle or as a spotbeam handle. To change current position, depress the button on the front right hand side of the handle housing (Fig.1) and then rotate the handle to the required position.

Charging the LIGHTHOUSE Halogen Spotlight

The spotlight **must be fully charged for a minimum of 15 hours before being used for the first time**, this will ensure that the battery gives its best performance now and on future re-charging cycles. The AC and DC charging adaptors are for re-charging the battery only. They cannot be used to directly power the spotlight. Failure to recharge the torch every 3 months may permanently damage or reduce the performance of the spotlight. The battery charge does not have to be fully depleted before recharging.

Using the AC Charging Adaptor

- 1) Move the ON/OFF switch to the OFF position, failure to place the switch in the OFF position will prevent the battery from being charged and may damage or impair the batteries future performance.
- 2) Stand the spotlight on its base. Plug the adaptors jack plug into the socket on the side of the torch.
- 3) Plug the adaptor into 240V socket and switch the socket on (if applicable).
- 4) Charge the battery for a minimum of 15 hours before using for the first time, and 10 hours on subsequent recharges.
- 6) When charging is complete, you must remove the charging adaptor from the mains socket before unplugging the DC jack from the torch.

To prevent overheating do not charge for more than 15 hours.

Safety Precautions

- Use 240v AC charging adaptor indoors in a dry location only. Exposure to damp or wet conditions could cause electrocution or damage to adaptor.
- Do not use the charger in the vicinity of flammable liquids or materials.
- Do not use the charging adaptor in combination with any extension cord, electrical generators, or step-up transformers.
- Always plug the adaptor directly into a 240v outlet in a suitable location.
- Store in dry location and do not allow the charging adaptor to come in contact with water, rain or snow.
- If the charging adaptor comes into contact with water, place in a dry location at room temperature, on a soft absorbent towel and allow to dry thoroughly. Do not operate the unit until it is completely free of moisture.
- If the adaptor becomes submerged in water, discontinue use immediately and contact your local LIGHTHOUSE retailer for a replacement charger unit.
- Do not store charging adaptor where temperatures may exceed 122°F (50°C).
- Use only the AC charging adaptor supplied with the worklight. Do not attempt to charge the torch with an adaptor that is not compatible as this could result in a fire, damage to the torch or personal injury.

Using the DC Charging Adaptor

- 1) Stand the torch on its base. Plug the adaptors jack plug into the socket at the back of the spotlight.
- 2) Plug the adaptor into the vehicles 12v DC cigarette lighter or accessory power socket.
- 4) It is recommended that the torch is **not left in this charging mode for longer than 2 hours**. Charging should be done with the engine running to prevent running down the charge on the vehicles battery
- 5) When charging is complete, you must disconnect the adaptor from the car socket before unplugging the DC jack from the torch.

Safety Precautions

- The DC charging adaptor can be used in most vehicles by plugging into the 12v DC cigarette lighter or accessory power socket.
- Consult your vehicle owner's manual for further information on operating 12v DC accessories.
- Do not drive the vehicle while charging, as an unsecured worklight may be a hazard during certain driving manoeuvres.
- Store in dry location and do not allow the charging adaptor to come in contact with water, rain or snow.
- If the charging adaptor comes into contact with water, place in a dry location at room temperature, on a soft absorbent towel and allow to dry thoroughly. Do not operate the unit until it is completely free of moisture.
- If the adaptor becomes submerged in water, discontinue use immediately and contact your local LIGHTHOUSE retailer for a replacement charging adaptor.
- Do not store charging adaptor where temperatures may exceed 122°F (50°C).
- Use only the DC charging adaptor supplied with the torch. Do not attempt to charge the torch with an adaptor that is not compatible as this could result in a fire, damage to the torch or personal injury.